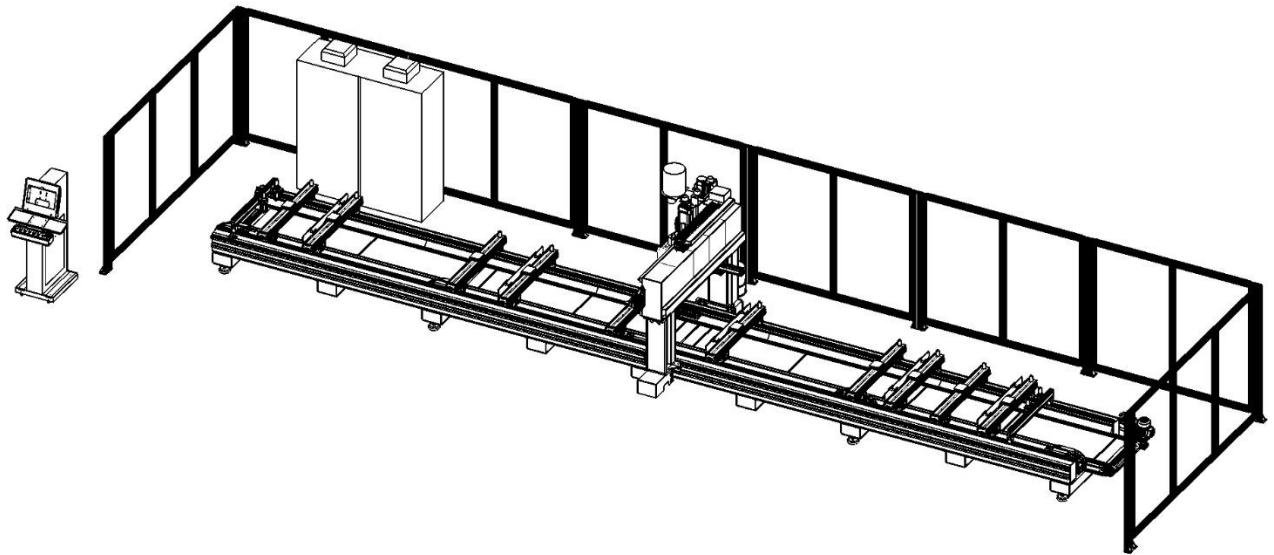
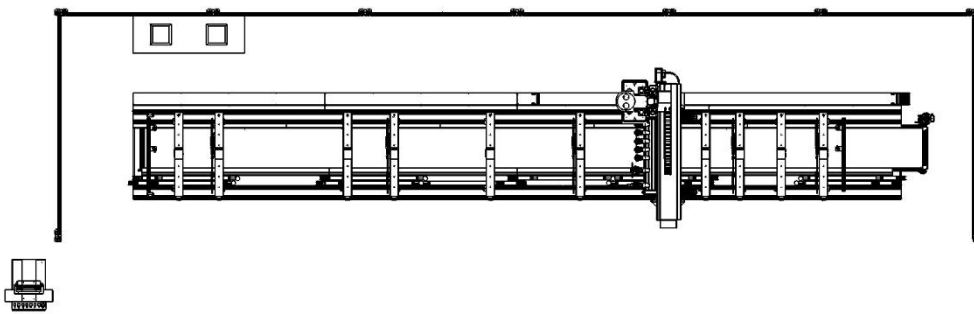
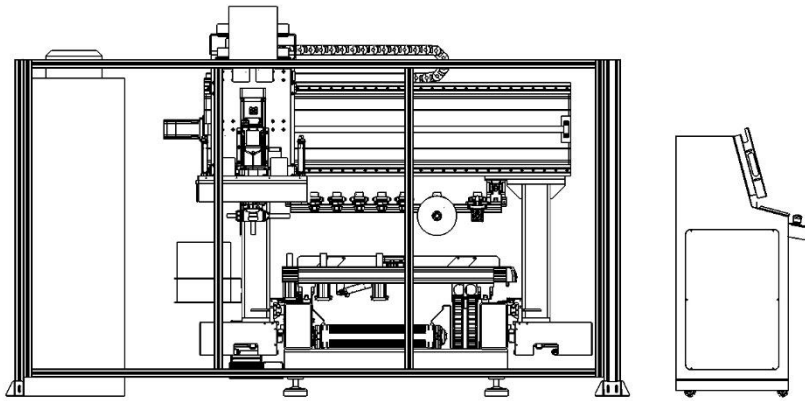
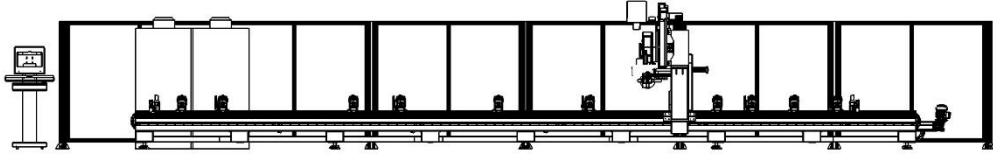
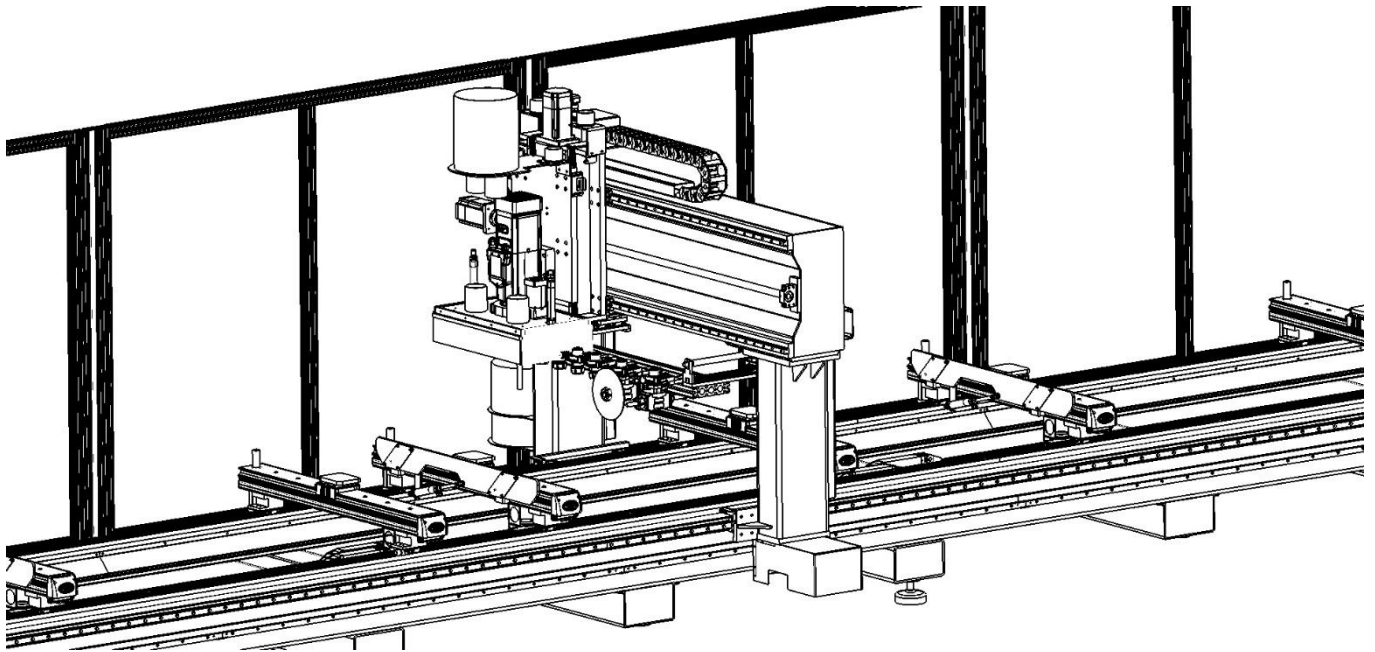
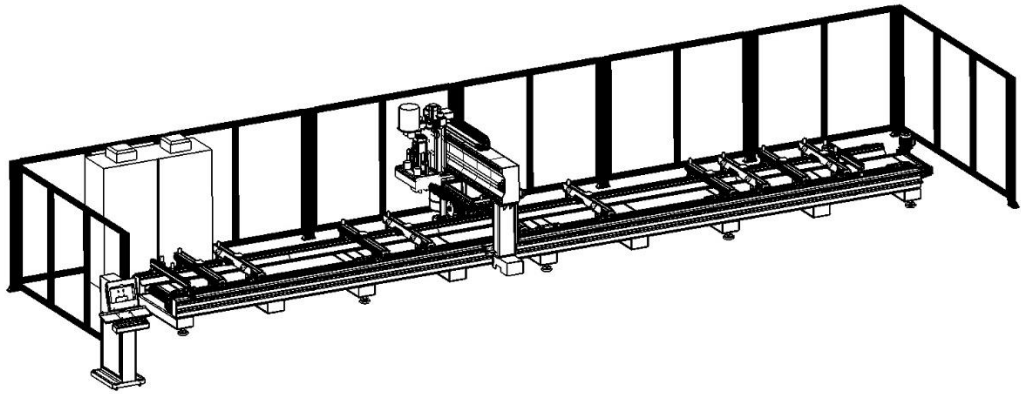




## **SCM-500 MACHINING & CUTTING CENTER FOR SECTIONAL DOOR PANELS**



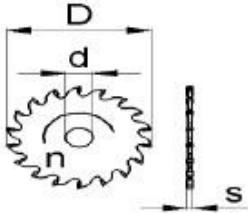
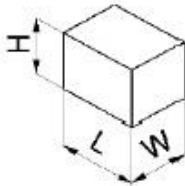




## **SCM-500 DESCRIPTION**

- **It is designed for machining&cutting of sectional door panels as a line.**
- **3+1 axes servo motor controlled with motion control technology.**
- **Workable part sizes; width:1000 mm (in Y axis), Length:13500 mm. (in X axis), Height: 100 mm (in Z axis, thickness of the doors)**
- **Processes in machining unit for sectional door panels;**
  - **Hinge holes**
  - **Window channels**
- **Processes in cutting unit;**
  - **Cutting sectional door panels according to length (in x axis, sizing width of the sectional door panels)**
  - **Dividing sectionaal door panels (in y axis, sizing height of sectional door panels)**
- **Cutting lenght sensitivity is +/- 0,5 mm.**
- **Cutting angles: 90° and 180°**
- **Pc controlled with Windows operating system.**
- **Easy and fast data transfer because of Pc (by usb memory, cable, cd, wireless, Ethernet, mail etc.)**
- **Remote control service technology.**
- **Unlimited data memory.**
- **Thanks to 15.6'' lcd control screen for being user-friendly**
- **Barcode system for mass production.**

**SCM-500** *TECHNICAL INFORMATION*

<i>ELEKTRIC DETAILS</i>	400 V
	3L-N-PE
	50-60 Hz
	25 KW
<i>AIR PRESSURE</i>	6-8 Bar
<i>SAW DIMENSIONS</i> 	D: 210 mm.
	d: 35 mm.
	s: 3 mm.
	z: 80
<i>MAXIMUM PROFILE LENGTH</i>	13500 mm
<i>MACHINE'S DIMENSIONS</i> 	H:2100 mm
	L: 16500 mm
	W: 3250 mm